

Flexible joint

Flexible joint MLK

Connection: G1/4" to G1/2"

Flexible joint MLK



Introduction and application

- ◆ For handling of workpieces with sloping surfaces with the aid of large suction cups.
- ◆ Handling of large sheets of materials such as wood or sheet metal, which may sag when lifted; Flexolink prevents the sheet from being pulled off due to one-sided forces
- ◆ Can be used together with spring plungers to compensate for differing workpiece heights and uneven surfaces. Automatic resetting

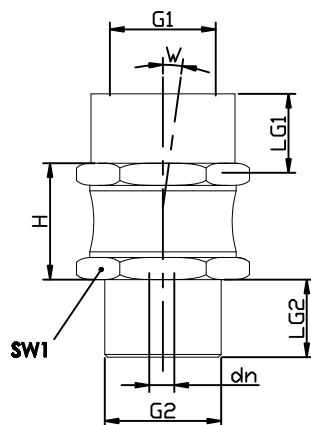
Technical Data And Ordering Data Flexible joint MLK

Type	Vertical load [N]	Bending moment [Nm]	Weight [g]	Ordering Data
MLK G1/4-IG G1/4-AG	750	10	30	90.04.01.00044
MLK G1/2-IG G1/2-AG	3000	50	100	90.04.01.00046

Note: MLK IG(internal thread) AG(external thread)

Design Data Flexible joint MLK

MLK...IG...AG



Type	Dimensions[mm]								
	dN	G1	G2	H	LG1	LG2	SW1	W[°]	
MLK G1/4-IG G1/4-AG	3.0	G1/4"-F	G1/4"-M	27.0	12.0	12	17	12	
MLK G1/2-IG G1/2-AG	6.0	G1/2"-F	G1/2"-M	33.5	14.0	14	27	12	